



# **CARRARO**

**Catalogo Parti Di Ricambio**

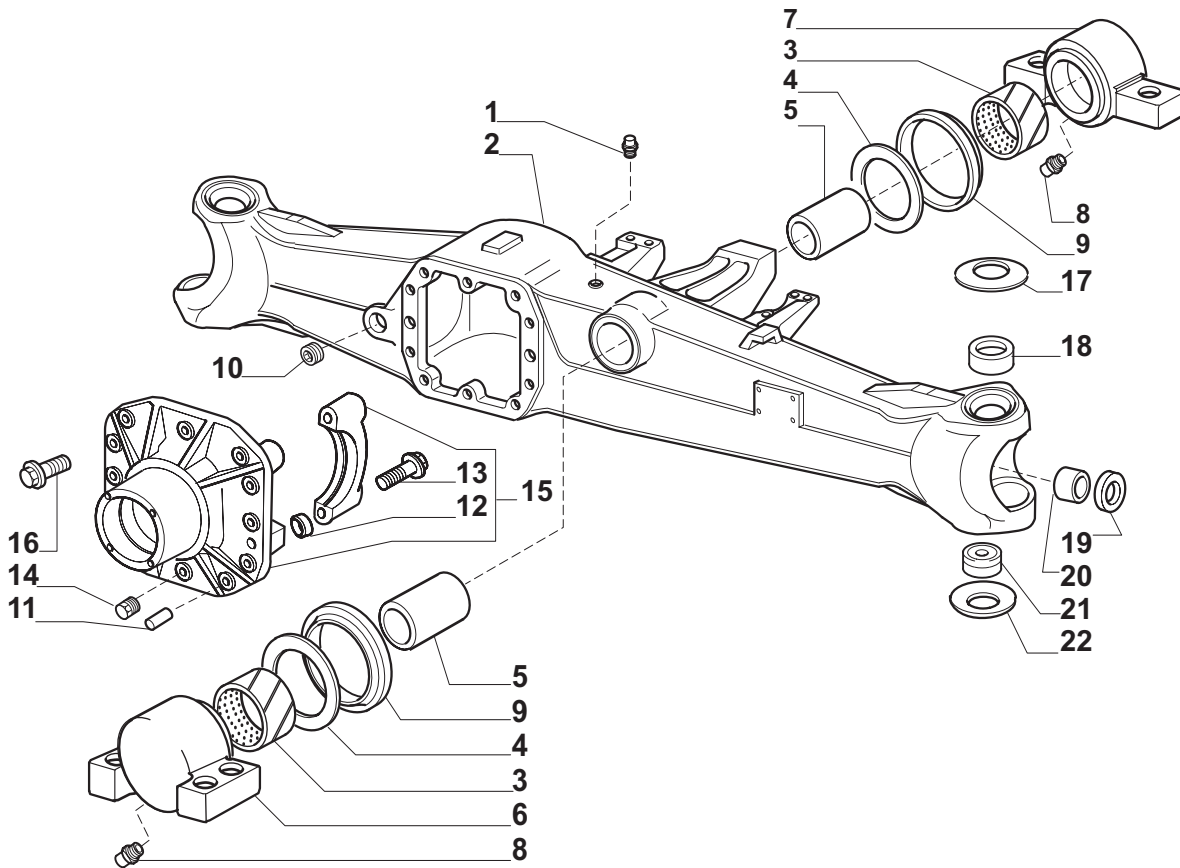
***Spare Parts List***

**ASSALE 20.19**

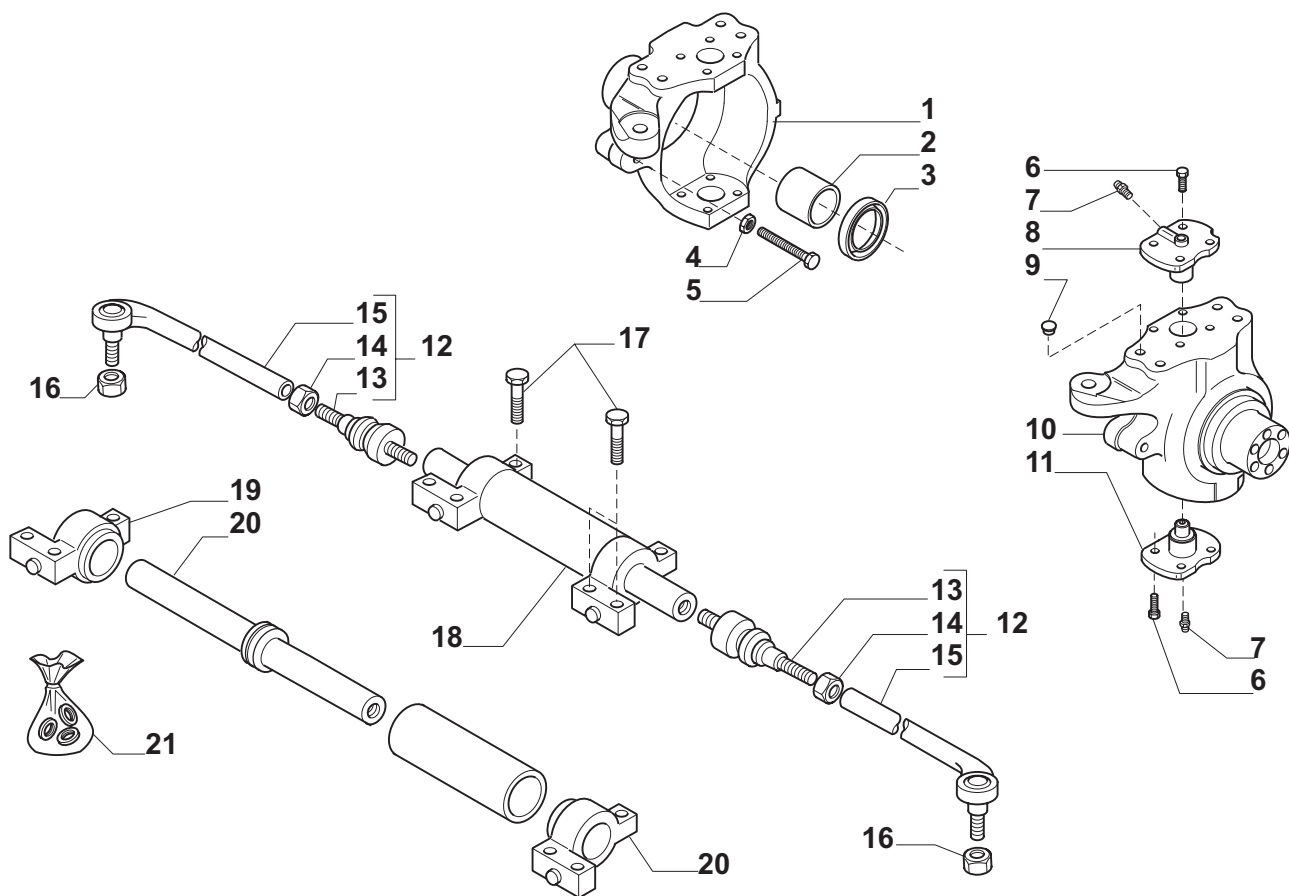
***20.19 AXLE***

**REF. 132380**

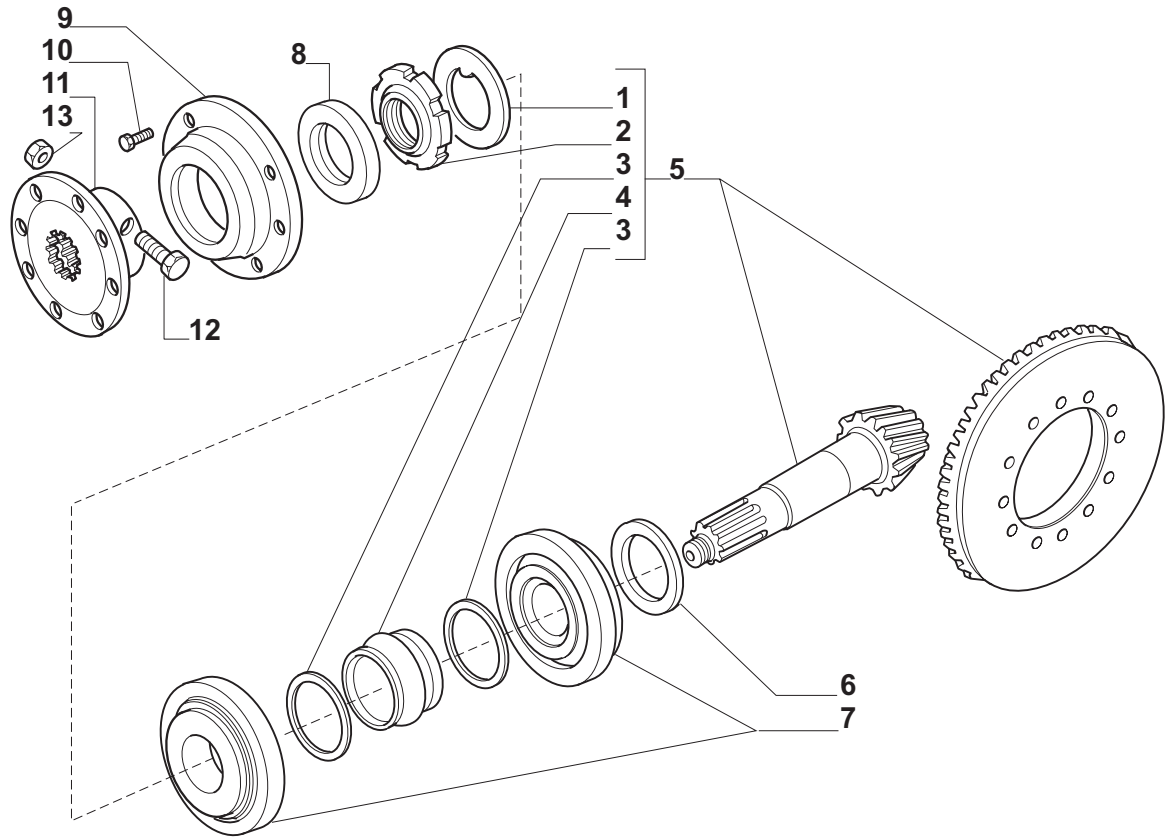
- 1.0.1 Corpo assale  
*Axle housing*
- 2.0.1 Calotte e cilindro di sterzo  
*Swivel housings and steering cylinder*
- 3.0.1 Coppia conica  
*Bevel gear set*
- 4.0.1 Differenziale  
*Differential*
- 5.0.1 Doppio giunto  
*Double U-joint*
- 6.0.1 Mozzo ruota e riduzione epicicloidale  
*Wheel hub and final reduction*
- 7.0.1 Sommario kit  
*Kit summary*



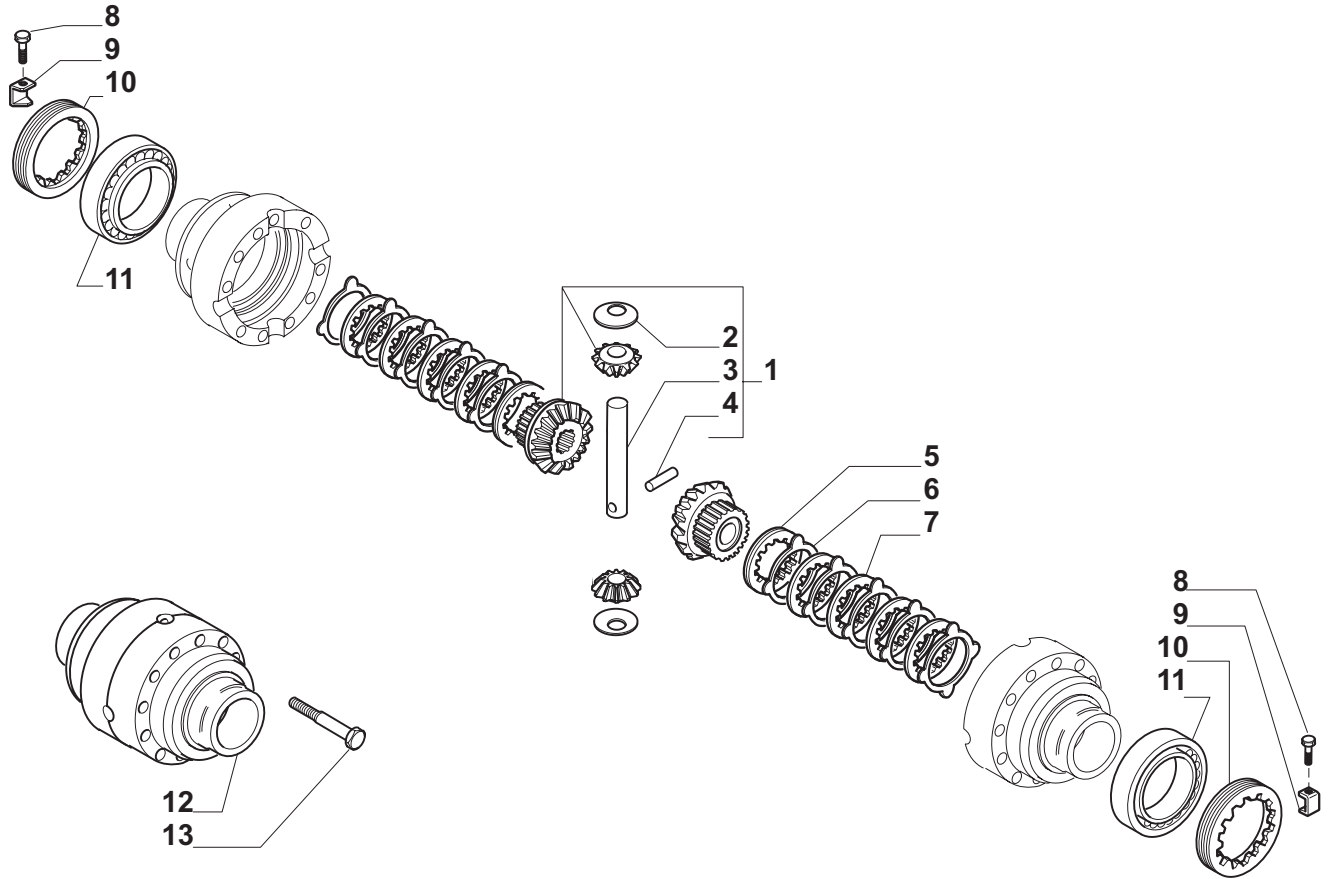
Pos.	Ref.	Q.ty	Descrizione	Description	Kit	Note
1	104988	1	Breather M10x1			
2	145411	1	Axle housing			
3	129641	2	Bush 57.16x52.72x42			
4	129642	2	Thrust washer 80-53-5			
5	556836	2	Pin			
6	132631	1	Rear support			
7	132379	1	Front support			
8	024210	2	Greaser nipple M6x1			
9	131502	2	Seal ring			
10	128050	1	Plug			
11	87660	2	Pin D.15x35			
12	072235	4	Centering bush			
13	126022	4	Bolt M14x2x75			
14	092270	1	Plug M22x1.5			
15	125836	1	Differential support assy			
16	125827	10	Bolt M12x1.75x33			
17	128633	2	Belleville washer 71x36x2.5			
18	143563	2	Bush			
19	145761	2	Oil seal 40x55x15.5			
20	116962	2	Bush 40x44x35			
21	123726	2	Spherical bearing			
22	128630	2	Belleville washer 70x47.5x1			



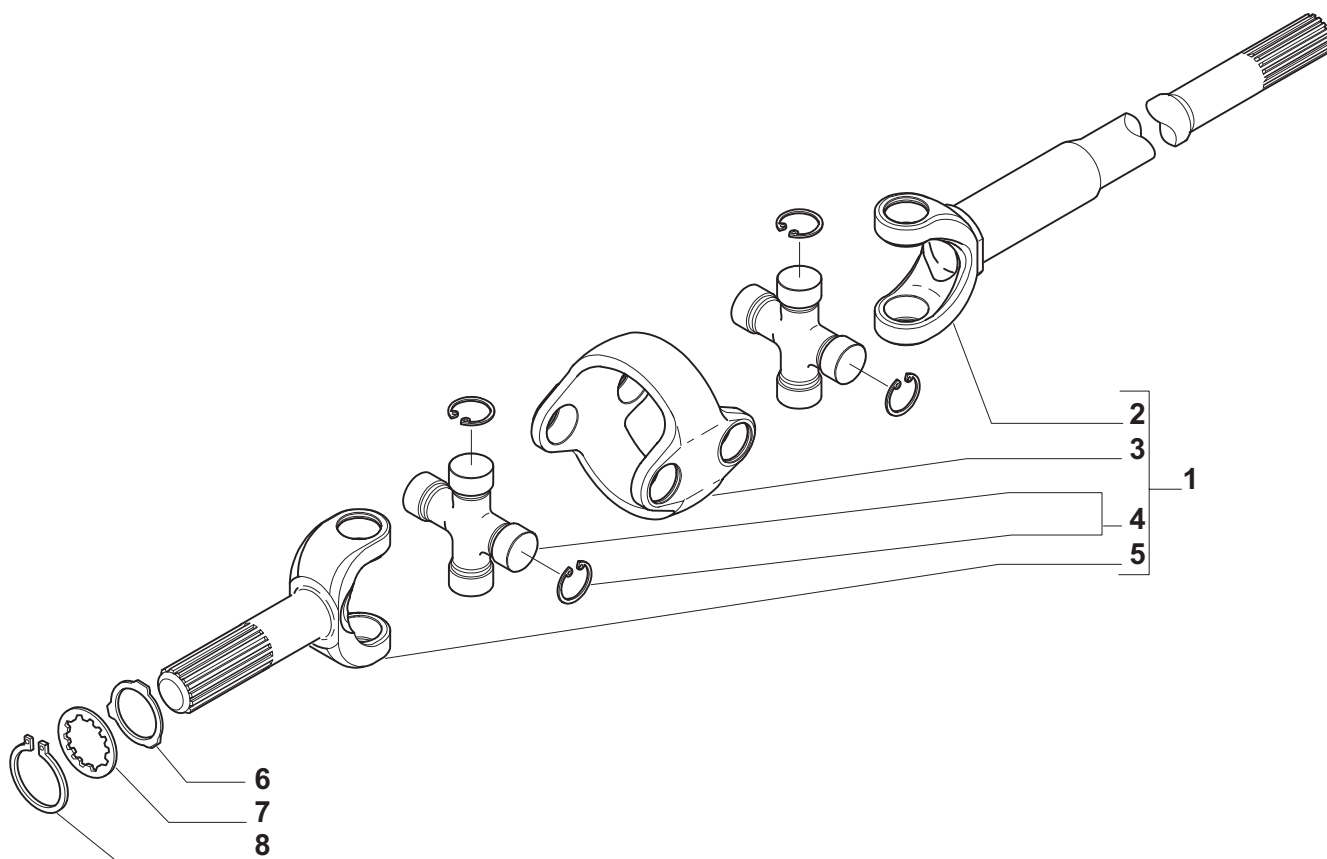
Pos.	Ref.	Q.ty	Descrizione	Description	Kit	Note
1	145020	1	Calotta SX	Swivel housing LH		
2	125390	2	Bronzina	Bush		
3	144485	2	Anello di tenuta	Oil seal		
4	022129	2	Dado M16	Nut M16		
5	124748	2	Vite M16x100	Bolt M16x100		
6	126922	12	Vite M14x35	Bolt M14x35		
7	024210	4	Ingrassatore M6x1	Grease nipple M6x1		
8	128880	2	Perno snodo	King pin		
9	030782	8	Tappo	Plug		
10	145019	1	Calotta DX	Swivel housing RH		
11	128881	2	Perno snodo	King pin		
12	132390	2	Asta di guida	Steering arm assy		
13	350440	2	Snodo sferico	Ball joint		
14	022183	2	Dado M18x1.5	Nut M18x1.5		
15	351035	2	Tirante snodo	Tie rod RH		
16	022437	2	Dado M18x1.5	Nut M18x1.5		
17	021250	2	Vite M16x70	Bolt M16x70		
18	132391	1	Martinetto	Cylinder assy		
19	049042	2	Testata cilindro	Cylinder head		
20	049218	1	Stelo completo	Rod		
21	049043	1	Kit guarnizioni	Seal kit		



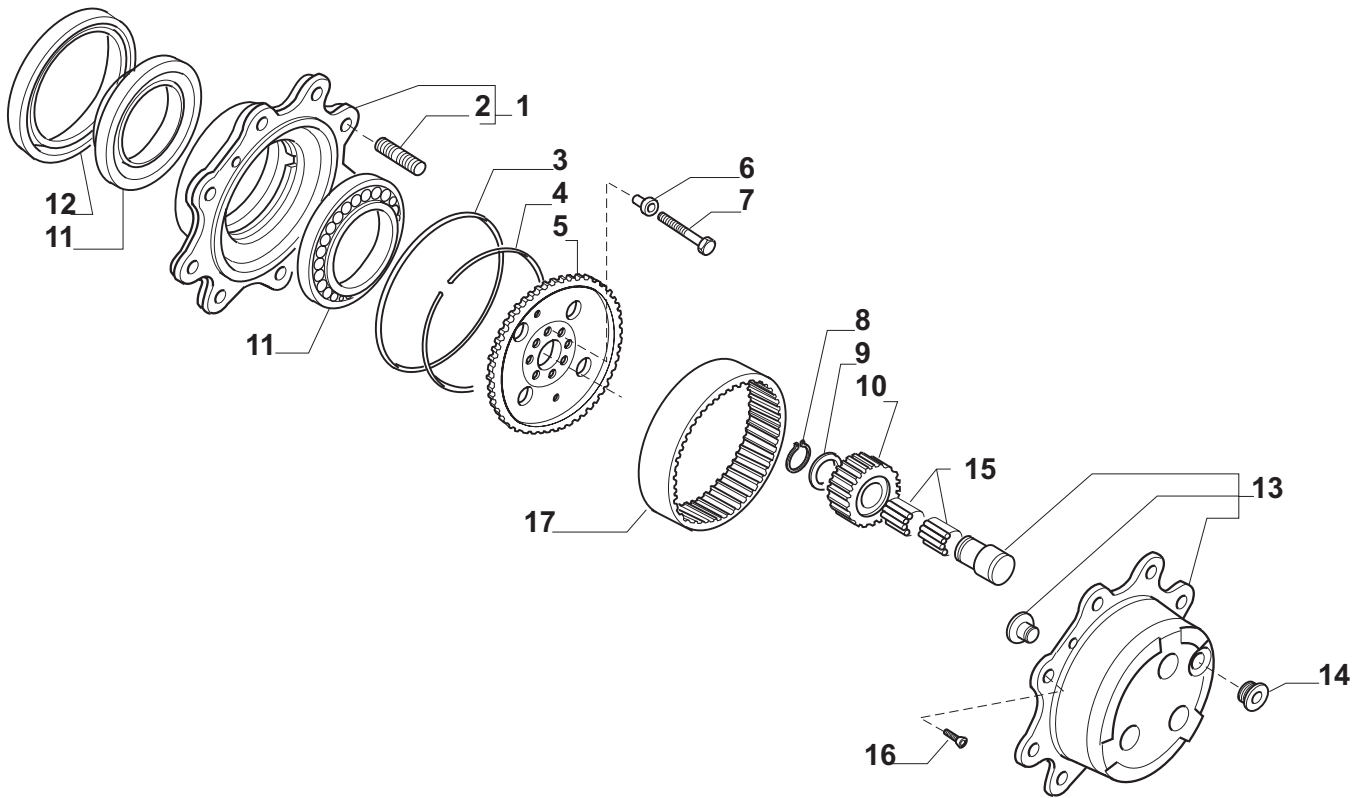
Pos.	Ref.	Q.ty	Descrizione	Description	Kit	Note
1	113717	1	Lockwasher			
2	115054	1	Ring nut M40x1.5			
3	125829	2	Washer 50x40.5x2			
4	125806	1	Collapsible spacer			
5	066303	1	Bevel gear/pinion set Z=16/32			
6	132265	-	Shim 2,50mm			
6	132266	-	Shim 2,60mm			
6	132267	-	Shim 2,70mm			
6	132268	-	Shim 2,80mm			
6	132269	-	Shim 2,90mm			
6	132270	-	Shim 3,00mm			
6	132271	-	Shim 3,10mm			
6	132272	-	Shim 3,20mm			
6	132273	-	Shim 3,30mm			
6	132274	-	Shim 3,40mm			
7	027350	2	Bearing			
8	134363	1	Oil seal 35x52x16			was 116722
9	134212	1	Flange			
10	020751	6	Bolt M6x25			
11	116525	1	Flange			
12	021105	2	Bolt M10x60			
13	022411	2	Nut M10x1,25 (Self lock.)			



Pos.	Ref.	Q.ty	Descrizione	Description	Kit	Note
1	066145	1	Kit differenziale	Differential kit		
2	115730	2	Rondella spallamento	Thrust washer	066145	
3	116369	1	Perno	Shaft	066145	
4	116451	1	Spina D6x40	Pin D6x40	066145	
5	110642	2	Disco diff.	Diff. plate		
6	110643	10	Controdisco diff.	Diff. drive-plate		
7	110644	8	Disco diff.	Diff. plate		
8	128440	2	Vite M6x40	Bolt M6x40		
9	107778	2	Fermo ghiera	Locking plate		
10	107400	2	Ghiera	Ring nut		
11	027309	2	Cuscinetto	Bearing		
12	137972	1	Scatola differenziale	Differential housing		
13	125552	12	Vite M10x75	Bolt M10x75		



Pos.	Ref.	Q.ty	Descrizione	Description	Kit	Note
1	132392	1	Doppio giunto Sx	LH Double joint		
1	132393	1	Doppio giunto Dx	RH Double joint		
2	046298	1	Semiassa (lato diff.)	Half-shaft (diff. Side)	132392	
2	046299	1	Semiassa (lato diff.)	Half-shaft (diff. Side)	132393	
3	046196	2	Corpo centrale	Central body		
4	046252	4	Crociera	Spider		
5	046294	2	Semiassa (lato ruota)	Half-shaft (wheel side)		
6	132165	2	Rondella	Thrust washer		
7	140024	2	Rondella	Thrust washer		was 127129
8	024799	2	Anello seeger D.45	Snap ring D.45		was 024800



Pos.	Ref.	Q.ty	Descrizione	Description	Kit	Note
1	068430	2	Kit mozzo ruota	Wheel hub kit		
2	123563	16	Prigioniero	Stud	068430	
3	028603	2	Anello OR	O.ring		
4	125344	2	Anello d'arresto	Lockring		
5	134298	2	Mozzo fermo corona	Wheel carrier		
6	141196	16	Bussola di centraggio	Centering bush		
7	140259	16	Vite M10x45	Bolt M10x45		
8	024793	6	Anello seeger D.38	Snap ring D.38		
9	135366	6	Ralla	Thrust washer		
10	135947	6	Ingranaggio Z=23	Gear Z=23		
11	118378	4	Cuscinetto	Bearing		
12	047702	2	Anello di tenuta	Oil seal ring		
13	066285	2	Kit treno portasatelliti	Planetary carrier assy		
14	125280	2	Tappo M30x2	Plug M30x2		
15	028370	33.6	Rullini (a decine)	Needle bearing (by tens)		
16	020490	4	Vite M8x20	Bolt M8x20		
17	134299	2	Corona dentata	Crown gear		



Kit	Ref.	Descrizione	Description	Q.ty	Note
132390	-	Asta guida	Steering arm	-	
	351035	Tirante	Tie rod	1	
	022183	Dado	Nut	1	
	350440	Snodo sferico	Ball joint	1	
132391	-	Martinetto	Steering cylinder	-	
	049042	Testata martinetto	Steering cylinder head	1	
	049218	Stelo	Rod	1	
	049043	Kit guarnizioni	Gasket kit	1	
066303	-	Kit coppia conica	Bevel gear/pinion set	-	
	-	Coppia conica Z=16/32	Bevel gear/pinion Z=16/32	1	
	125829	Rondella	Washer	2	
	125806	Distanziale elastico	Collapsible spacer	1	
	115054	Ghiera	Ring nut	1	
	113717	Rondella fermo ghiera	Lockwasher	1	
066145	-	Kit ingr. differenziale	Differential kit	-	
	116369	Perno	Shaft	1	
	115730	Rondella spallamento	Thrust washer	2	
	-	Ingranaggio Z=12	Gear Z=12	2	
	-	Ingranaggio Z=18	Gear Z=18	2	
132392	-	Doppio giunto	Double U-joint	-	
	046298	Semiassa (lato diff.)	Half-shaft (diff. side)	1	
	046196	Corpo centrale	Central body	1	
	046252	Crociera	Spider	2	
	046294	Semiassa (lato ruota)	Half-shaft (wheel side)	1	
132393	-	Doppio giunto	Double U-joint	-	
	046299	Semiassa (lato diff.)	Half-shaft (diff. side)	1	
	046196	Corpo centrale	Central body	1	
	046252	Crociera	Spider	2	
	046294	Semiassa (lato ruota)	Half-shaft (wheel side)	1	
068430	-	Kit mozzo ruota	Wheel hub kit	-	
	-	Mozzo ruota	Wheel hub	1	
	123563	Prigioniero	Stud	8	
066285	-	Kit treno portasatelliti	Planetary carrier kit	-	
	-	Treno portasatelliti	Planetary carrier	1	
	-	Perno sat. epic.	Shaft	3	
	-	Pattino arresto semiassa	Locking pad	1	